

KOBA KANT

<http://www.kobakant.at/KOBA/storytelling-vest/>

Button1: Rainbow

click the button and the rainbow go around the vest

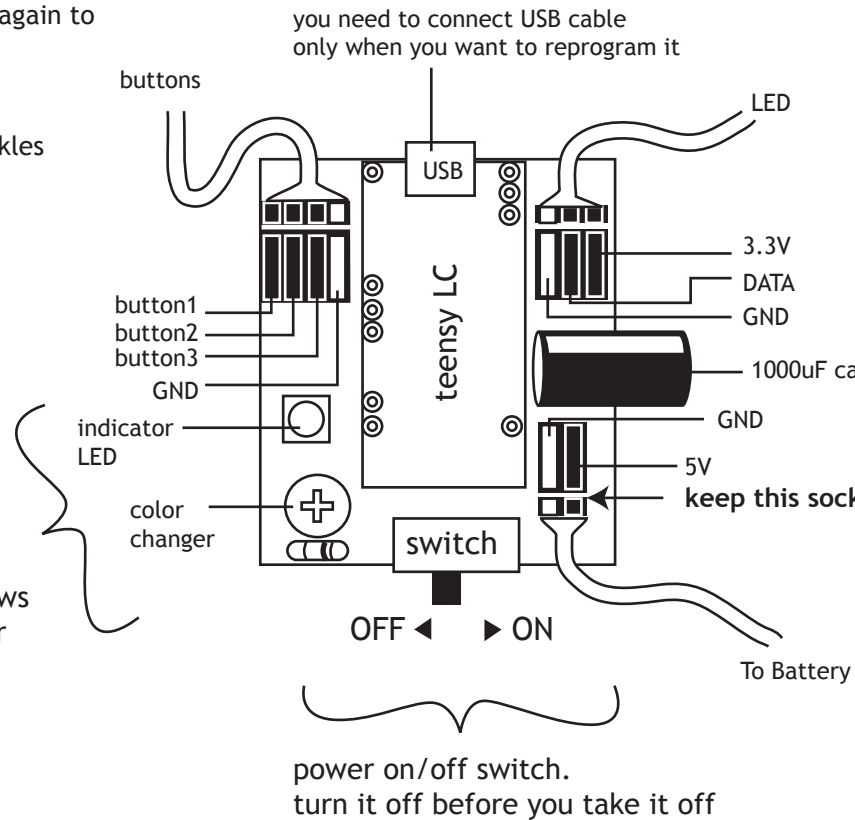
Button2: Mood maker

click once and the light of your choice of color comes on and off to create a mood for the story. Click again to turn off

Button3: Sparkle

click once and sparkles for short period

you can change the fade mode LED color from this knob. Indicator LED shows the selected color



you can take the cable out when you want to wash the vest. Make sure to dry it well and connect the cable in correct way. White mark should always align.

The battery has a capacity of 2500mA. When fully charged, it should last for few hours. When the vest is not in use, please make sure to detach the battery's USB plug from the USB socket by the kneck. To charge the battery, take the battery off from the vest, plug in micro USB cable to the side of the battery.