

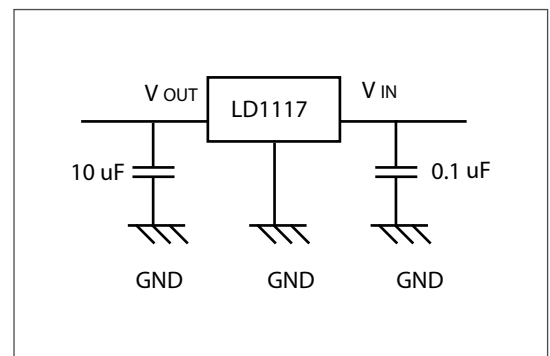
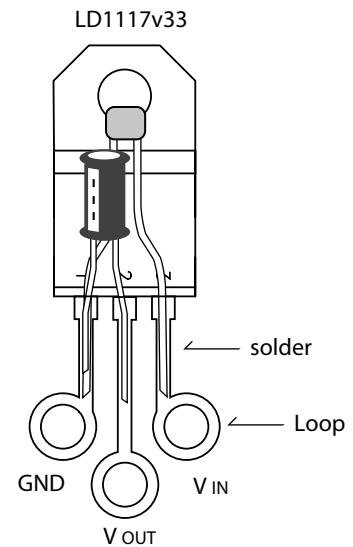
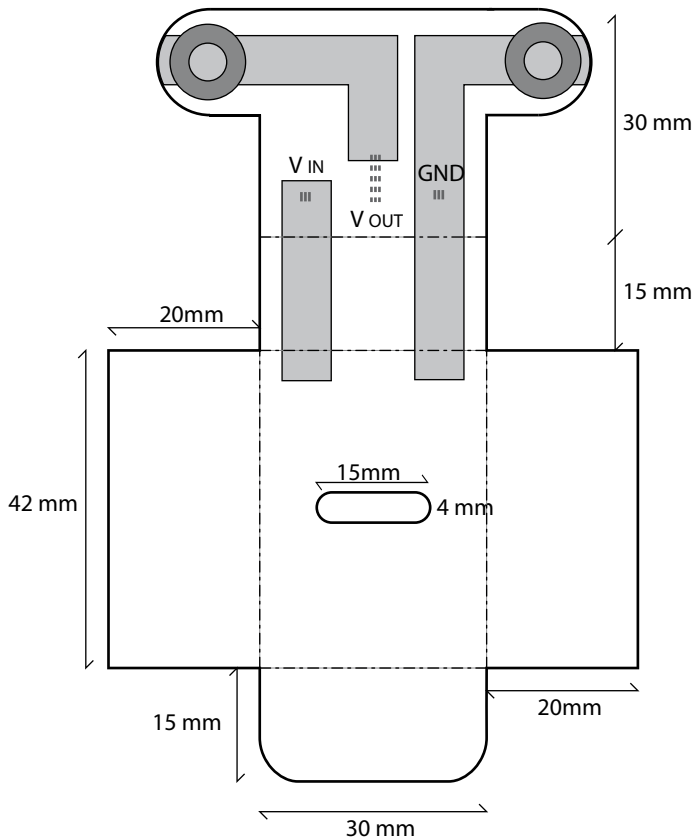
9V Battery Pouch with 3.3v regulator (LD1117v33)





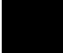
Stencil



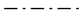

Made from: 1.5 mm thick HS quality neoprene with polyester jersey fused to either side, stretch conductive fabric, fusible interfacing, regular thread, 1x LD1117v33, 1x 10uF capacitor, 1x 0.1uF capacitor



Fits: one 9V battery

www.KOBAKANT.at



-  Neoprene
-  Conductive fabric
-  Perforated foam
-  Isolation
-  Velostat/Eeonyx

-  Conductive thread
-  Isolated conductive thread
-  Fold
-  Outline

-  Metal popper
-  Knot
- VCC Common GND or +5V
- A/D(1-4) Analog/Digital in/outputs